

## SWC515-A PinMount™ / SWC615-A PowerMount™

### Weigh Module



**Download Installation Guide:**

EU W: English, Deutsch, Español,  
Français, Italiano, Nederlands,  
Português

EU N: Svenska, Dansk, Norsk  
EU E: Polski, Čeština, Magyar,  
Русский, Türkçe

► [www.mt.com/ind-downloads-pinmount](http://www.mt.com/ind-downloads-pinmount)



**Download Installation Guide:**

EU W: English, Deutsch, Español,  
Français, Italiano, Nederlands,  
Português

EU N: Svenska, Dansk, Norsk  
EU E: Polski, Čeština, Magyar,  
Русский, Türkçe

► [www.mt.com/ind-downloads-615powermount](http://www.mt.com/ind-downloads-615powermount)

**METTLER TOLEDO**



**Download Installation Guide:**  
Installation Guide is available in:  
English, German, Spanish, French,  
Italian, Dutch, Portuguese, Swedish,  
Danish, Norwegian, Polish, Czech,  
Hungarian, Russian, Turkish



**Download Installation Guide:**  
Installation Guide is available in:  
English, German, Spanish, French,  
Italian, Dutch, Portuguese, Swedish,  
Danish, Norwegian, Polish, Czech,  
Hungarian, Russian, Turkish

### 1» Before You Begin

**1** Never extend or cut the load cell's cable length. Always remove the load cell before welding.

**2** Tools You Need:

**1** Calibration Certificate  
KEEP DOCUMENTS!

### 2» Plan Your Layout

**Without Stabilizers**

**With Stabilizers**

### 3» Position the Weigh Modules

**Block tank when in raised position.**

**1** Lift tank

**2** Position weigh modules under tank legs according to your layout

### 4» Make Sure Locking Plates are Installed

**Use SafeLock™ Centering Spacer and SafeLock™ Locking Plate.**

Locking Plate  
Centering Spacer  
Anti-Lift Bolt

### 5» Mounting Optional Pads

Tank Leg

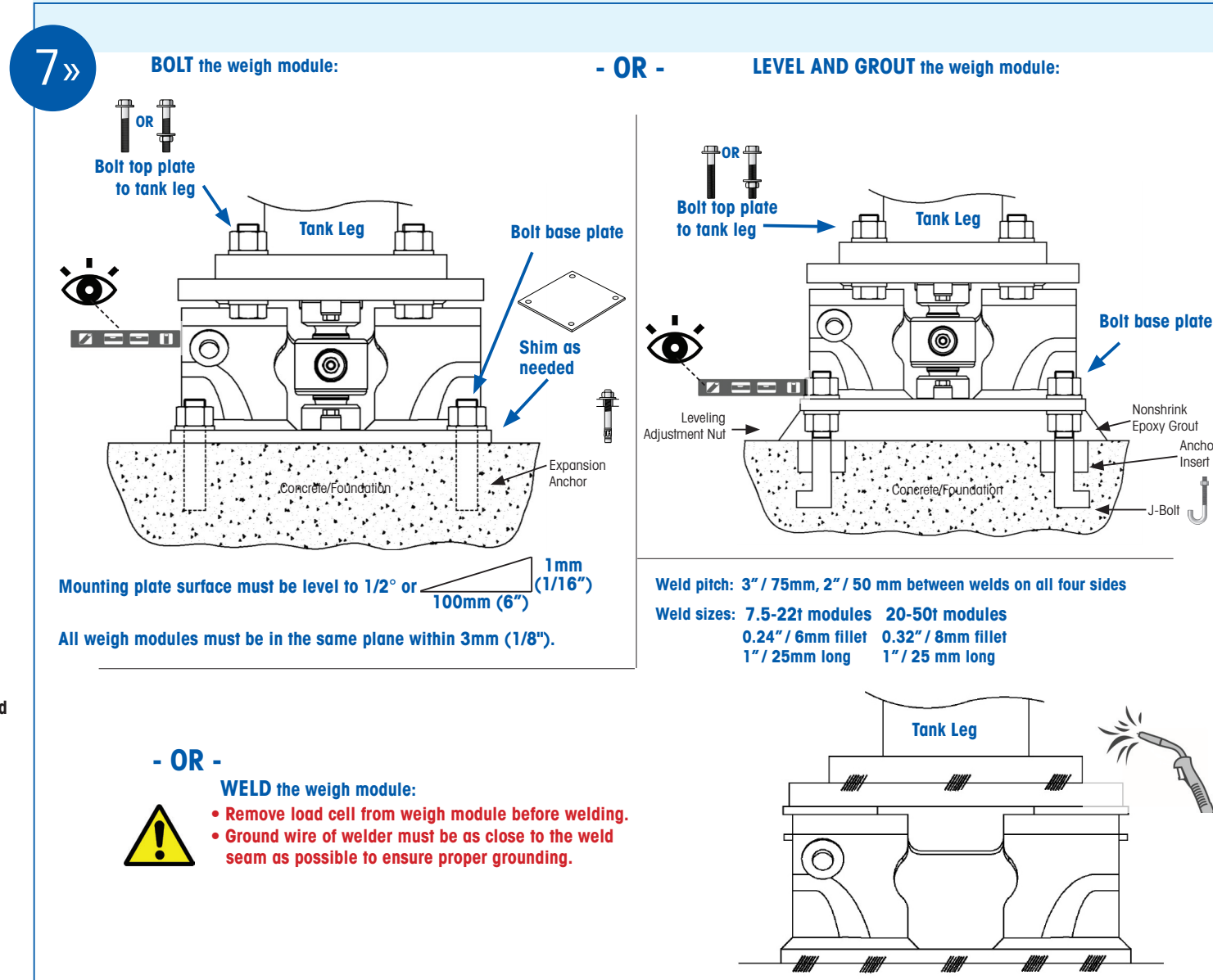
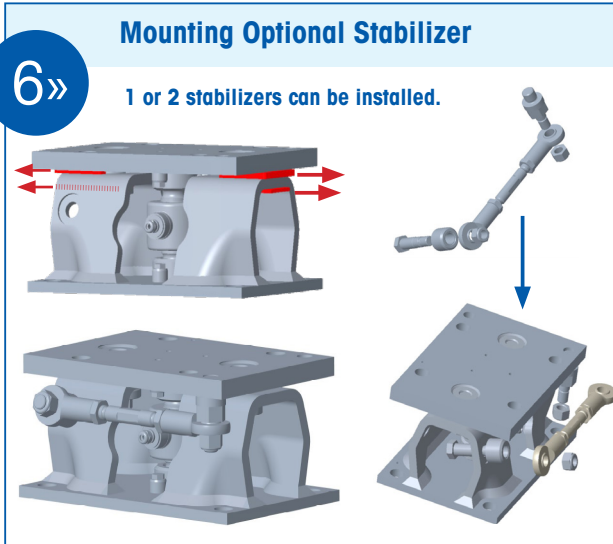
Tank Foot Plate —  
Pad —  
Metal Spacer Plate —  
Weigh Module —  
Top Plate —  
Locking Nut, or Nut with Locking Washer



**Download Installation Guide:**  
Installation Guide is available in:  
English, German, Spanish, French,  
Italian, Dutch, Portuguese, Swedish,  
Danish, Norwegian, Polish, Czech,  
Hungarian, Russian, Turkish



**Download Installation Guide:**  
Installation Guide is available in:  
English, German, Spanish, French,  
Italian, Dutch, Portuguese, Swedish,  
Danish, Norwegian, Polish, Czech,  
Hungarian, Russian, Turkish



## Installation Tips and Precautions:

- Never cut the load cell's cable or extend its length.
- Avoid moisture and dust.
- Ensure voltage stability – use a regulated power supply.
- Avoid overload and shock.
- Ensure good grounding.
- For hazardous area installations in Europe, refer to the enclosed instructions (30104376 / 175389R).



Contact authorized METTLER TOLEDO service technician to activate the weigh modules for startup and calibration.

## Contact Information:

► [www.mt.com/contact](http://www.mt.com/contact)

For patent rights see [www.mt.com/patentmarking](http://www.mt.com/patentmarking)

© 2022 Mettler Toledo GmbH, Switzerland  
04/2022 | 30577567